



Qingdao Global View Logistics Co., Ltd.



ABOUT

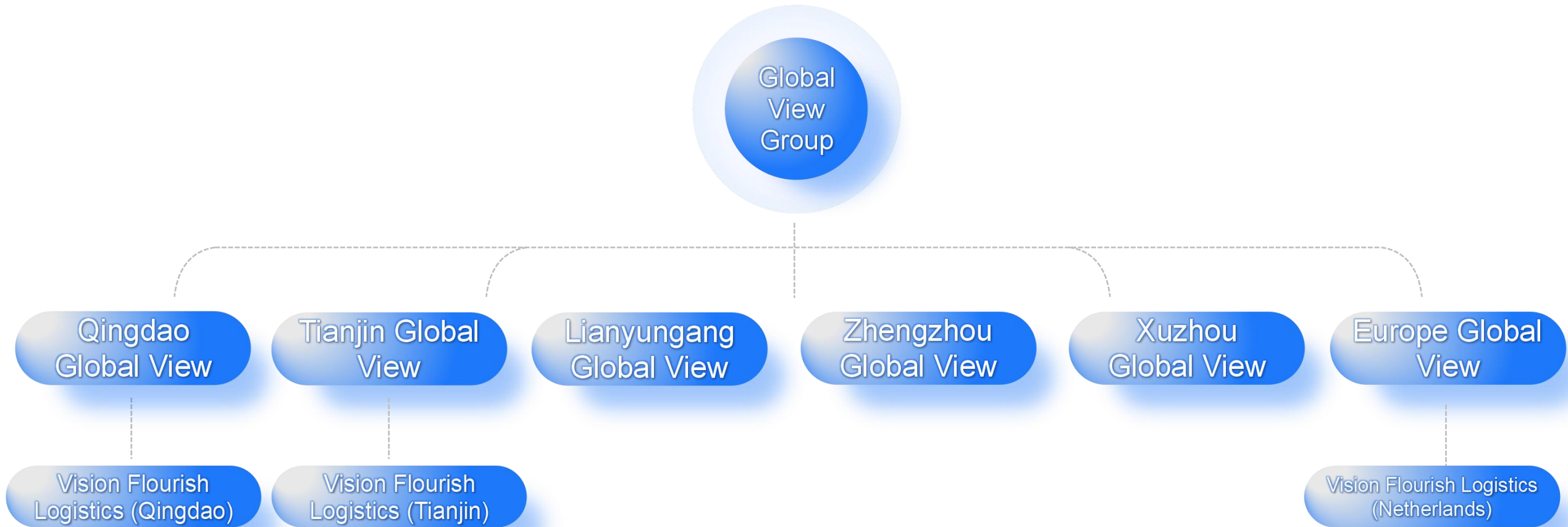
About Us

Global View Logistics will provide global industrial chain logistics services, as the company's development philosophy and direction. Leveraging nearly 20 years of industry experience of our professional logistics team, strategic cooperation with multiple ship owners and airlines for advantageous resources, along with a comprehensive global agency service network, we aim to build a perfect system of logistics supply chain services including sea freight, air freight, logistics warehousing, land transportation, customs affairs, and commodity inspection. Based on customer needs, we develop comprehensive logistics transportation plans and provide global one-stop logistics services.





Organizational Structure





Global View Global Network

Global View Group, with its strong global network, constructs a seamless logistics chain for you. Domestically, we have five directly affiliated companies located in Qingdao, Tianjin, Lianyungang, Zhengzhou, and Xuzhou; we own and operate warehouses (Vision Flourish Logistics) in Qingdao, Tianjin, and Rotterdam (Netherlands). Internationally, we have a branch in Rotterdam, Netherlands, and closely collaborate with over 100 core advantageous partner agents in 112 countries worldwide, ensuring efficient, accurate, and reliable services for you.





Global View Group — Building a Global Logistics Network



Japan, South Korea, Taiwan Region

Leveraging the advantage of our own warehouses, we deeply collaborate with COSCO, SNL, DKT, Pan Ocean, SITC, CK Line, EMC, and YML to provide high-quality sea freight solutions for your cargo.

Southeast Asia and India-Pakistan Region

In the Southeast Asia and India-Pakistan region, we partner with EMC, KMTC, COSCO, CMA, RCL, WHL, OOCL, MCC, TSL, MSK, and other partners to provide efficient sea freight services.



Global View Group — Building a Global Logistics Network



North America Region

Covering the United States and Canada regions, we collaborate with shipping companies such as CMA, MSK, and ZIM. We hold a Federal Maritime Commission (FMC) certificate from the United States, ensuring the fast and safe arrival of goods.

Central and South America Region

Covering the Caribbean and Latin American regions, we collaborate with shipping companies such as MSK, EMC, CMA, ONE, YML, PIL, ZIM, COSCO, WHL, and MSC, ensuring top-notch service and speed.



Global View Group — Building a Global Logistics Network

Europe and Mediterranean Region

Spanning Europe and the Mediterranean, we deeply collaborate with world-class shipping companies such as **MSK, EMC, ONE, COSCO, ZIM, YML, and CMA** to provide high-quality sea freight solutions for your cargo.

Middle East, Red Sea, and Africa Region

Whether in Africa or the Middle East region, we collaborate with **COSCO, HMM, MSK, CMA, EMC, MSC, PIL, and others** to offer the best route options for you.




Global View Group — Engaging in "Belt and Road" International Train Services



Silk Road Economic Belt

21st Century Maritime Silk Road

- A) China-Russia, China-Belarus (Full import and export)
- B) Five Central Asian countries (Uzbekistan, Kazakhstan, Kyrgyzstan, Tajikistan, Turkmenistan)
- C) China-Europe Railway

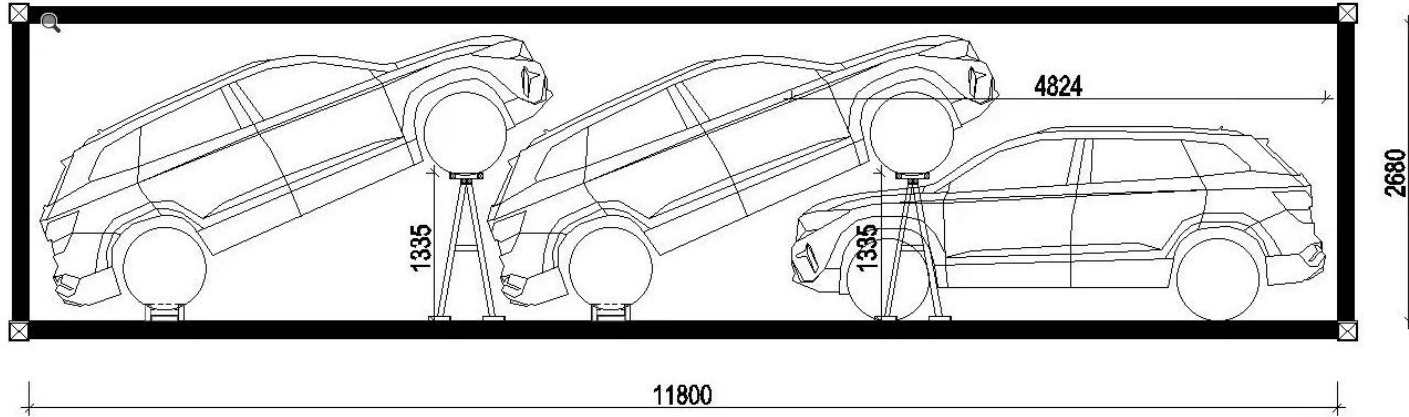
A hand holding a pen over a clipboard with a white line graph overlaying a background of a warehouse and a port with a container ship.

Global View Group — Your Global Logistics Partner

Our company primarily focuses on container sea freight import and export services, with sea freight export being the core product. Import, air freight, and warehousing logistics are complementary services. Our core strengths in sea freight export lie in three key routes: Central and South America, the Middle East and Southeast Asia, and Africa. Additionally, we offer services in North America and Europe, global specialized container services, bulk cargo services, warehousing logistics, lashing, reinforcement, customs clearance, and a global overseas agency network. Our team consists of specialized professionals in each of these areas, ensuring professional and reliable logistics services in all aspects!



Global View Group — Specializing in the Export of New Energy Vehicles, Motor Vehicles, and Special Vehicles in Containers.



Extended Range/Plug-In Hybrid Electric Vehicles



Pure Electric Vehicles



Hydrogen Fuel Cell Vehicles



Solar-Powered Vehicles



Conventional Hybrid Vehicles (Mild Hybrid Vehicles)





Global View Group — Professional and Comprehensive Logistics Services



Sea Freight Import and Export and LCL Services

- The global container import freight system to Qingdao port, coupled with a comprehensive overseas network and customs clearance team, provides customers with professional import services for global equipment updates, raw material imports, food and FMCG imports, beverage imports, etc.
- Southeast Asia, Europe, Africa, North America LCL consolidation services. In conjunction with FCL, we provide customers with the lowest cost and most suitable overall logistics services.



Air Freight Import and Export

- Relying on the four major domestic airports in Hong Kong, Shanghai, Beijing, and Zhengzhou, we have long-term strategic cooperation with UPS, Air China, Russian Air Bridge, EVA Air, Cathay Pacific, American Airlines, and British Airways, etc. Stable cargo supply supports the advantage freight system.



Customs Clearance and Land Transportation Services

- Our experienced customs clearance team offers quick and convenient port import and export clearance services, as well as inspection services.
- We have a land transportation service network covering various ports and provinces, providing customers with fast single-backland transportation and cost-saving distribution services. With ample fleet resources and a strong business reputation, we offer efficient land transportation services.

Global View Group — Efficient, Professional, and Stable

- Tianjin, Qingdao, Lianyungang, Shanghai — Global Bulk Cargo Terminals
- Specializing in the transportation of domestic exports of bulk bags, steel products, equipment, vehicles, project engineering, and large-scale equipment, as well as general and roll-on/roll-off cargo.
- Providing high-quality port ground reinforcement and loading supervision services.
- We have established long-term cooperative relationships with many bulk cargo shipowners such as COSCO, Sinotrans, Star Shipping, Wallenius Wilhelmsen, Rickmers, and others. This allows us to provide professional bulk cargo services under various transportation terms for our customers.

Bulk Cargo Services



Specialized Container Services

- We specialize in handling small, large, open-top, and flat rack special containers at various ports worldwide. We offer professional warehouse packing services, including lashing, reinforcement, supervision, and photography.
- We offer competitive rates from multiple shipping companies, including MSK, ZIM, CMA, OOCL, APL, COSCO, with an abundant supply of containers.

Global View Group — Your Trusted Logistics Partner



Rich Service Experience:

We have extensive logistics import and export experience in various product categories, including tires, chemicals, plywood, steel products, automobiles, machinery and equipment, heavy machinery, oilfield equipment, cables, photovoltaic products, wine and beer, and food. We ensure the safety and quality of goods during transportation and have rich experience in logistics import and export for each product category. We guarantee the safety and quality of every shipment.



Customer Base for Excellent Service:

Guangxi Liugong (Shandong), Caterpillar (China), Jiangsu Jinpeng Group Co., Ltd., Jinyishun Import and Export Trading (Xuzhou) Co., Ltd., Shandong Laigang, Shandong Lingong, Xugong Group, Caterpillar, China National Heavy Duty Truck Group, Beiqi Foton, Lushang Group, Qinggang, Jigang, Inspur Electronics, Qingdao Doublestar, Weifang Yingxuan, Jiangsu Shuntian, Rizhao Jinhe, China International Marine Containers Group, Lianhua Monosodium Glutamate, Taishan Sports, Foton Group, Shandong Kerui, ATS Photovoltaic, China Communications First Harbor Engineering Company, Apple Inc. (USA), Schlumberger Oilfield, Xinxiang Tonghe Wheel Group, Li Ming Heavy Industry, Pingao Group, and many more.



Qingdao Global View



Lianyungang Global View



Tianjin Global View



Xuzhou Global View



Europe Global View



Zhengzhou Global View



GWL!

Wholeheartedly, Global View International!

